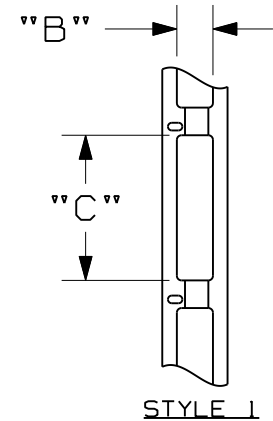
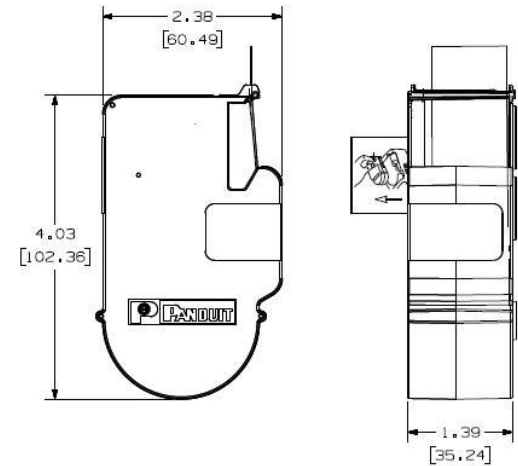


THIS COPY IS PROVIDED ON A RESTRICTED BASIS AND IS NOT TO BE USED IN ANY WAY DETRIMENTAL TO THE INTERESTS OF PANDUIT CORP.

PART NO.	PART DESCRIPTION	MATERIAL	"B"	"C"	LABELS PER ROLL
C189X047FNC	DESTRUCTIBLE POLYETHYLENE	GMDESPE	0.47 [11.9]	1.89 [48.0]	175

NOTES:
1. DIMENSIONS IN [] ARE IN MILLIMETERS.



CAD FILENAME/LAYERS I00201BA-DC-C10817/00A	
PANDUIT CORP. TINLEY PARK, ILLINOIS	
CUSTOMER DDRAWING COMPONENT LABELS TAMPER EVIDENT C189X047FNC	
UNLESS OTHERWISE SPECIFIED, DIMENSIONAL TOLERANCES ARE: (.X) ± .1 (.XXX) ± .025 (.XX) ± .030 ANGLES ±	UNLESS OTHERWISE SPECIFIED, ALL DIMENSIONS ARE GIVEN IN INCHES, THIRD ANGLE PROJECTION.
DRAWN BY RVU	MAT'L; SEE TABLE
DATE 4/12/10	SCALE FULL
CHK'D	DRAWING NO. C10817
	DWG A SIZE

REV	DATE	BY	CHK	DESCRIPTION	ECN	R	CUST	SUP
0	4/12/10	RVU		DRAWING RELEASE	6014	R		